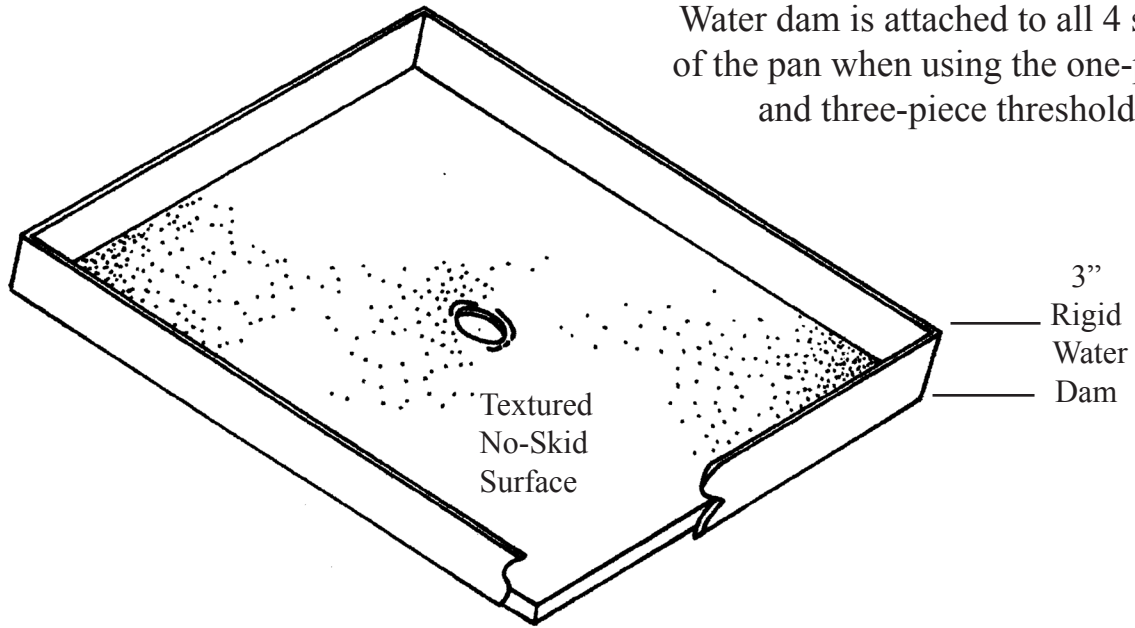


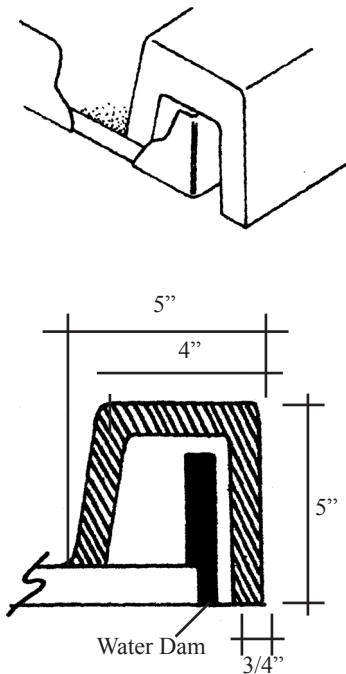
CUSTOM SHOWER PANS



Water dam is attached to all 4 sides of the pan when using the one-piece and three-piece threshold

Custom Thresholds

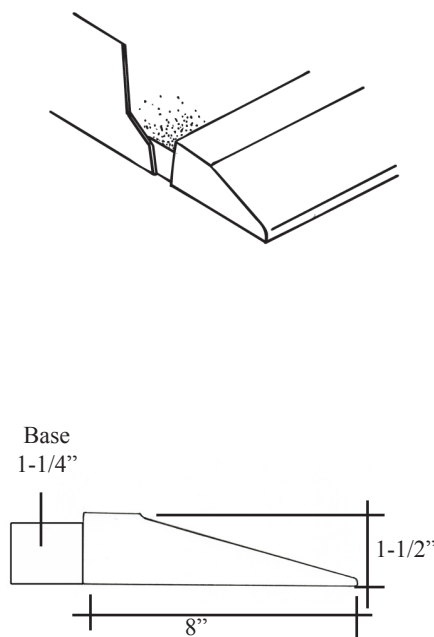
One Piece



DESIGNER NOTE:

- Allow 1-1/2" for threshold

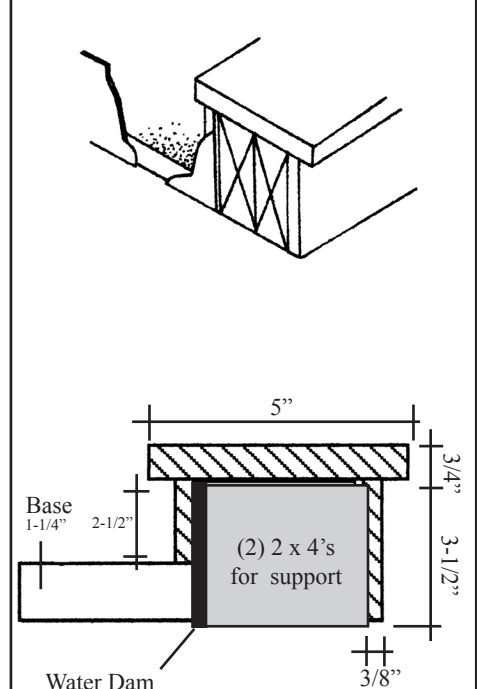
Handicap



DESIGNER NOTE:

- NO water dam on threshold side
- Allow 8" for threshold depth

Three Piece



DESIGNER NOTE:

- Allow 4" for threshold

Example #1: Custom pan finished size 59" x 32" minus 1-1/2" for one-piece threshold equals 59" x 30-1/2" pan size

Example #2: Custom pan finished size 59" x 32" minus 4" for three piece threshold equals 59" x 28" pan size